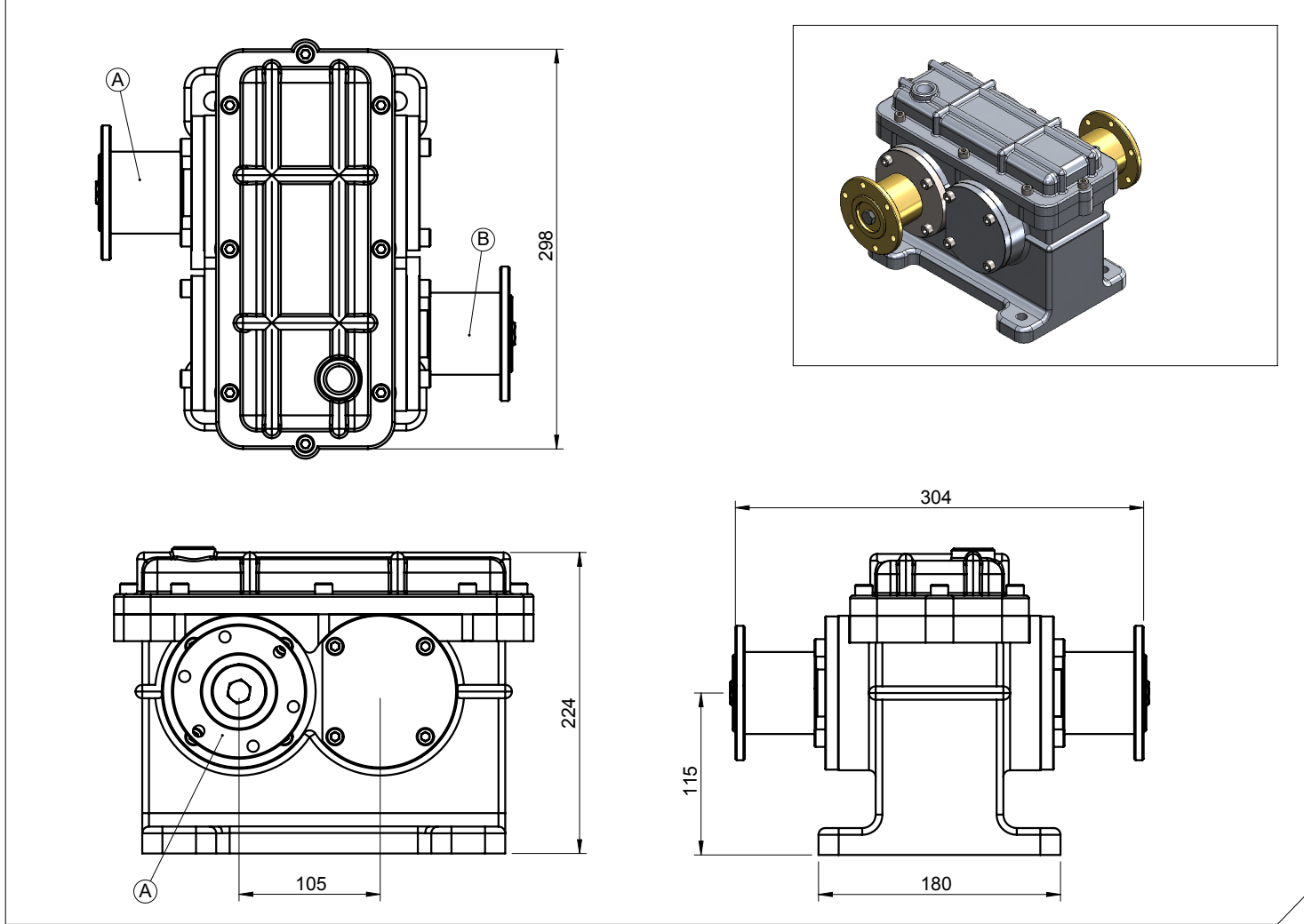


Application Type	Horizontal Usage	Product Code KRD.02.F
Gearbox Type	2 Axis RPM Increaser	

Products Views



Component Details

A-B : Reductor Input and Output Flange
(ISO 7646, ISO 7647, DIN, SAE, ISO, UNI Standards)

Technical Details

Max. Power	Max.Torque		Input/Output	Mounting Type	Sense of Rotation
	kW	Nm			
130	1000	102	1/0,47	Split Shaft	Opposite of Input
			1/1		
			1/1,3	Weight	
			1/1,42		
			1/1,66	36 kg	
			1/2,11		
			1/2,50		
1/2,73					
1/3,08					